

CARLOS ARBOLIES S.A



**EMERGENCY SHOWERS
AND EYEWASHES**

CATALOGUE 2010

GENERAL

TECHNICAL INFORMATION



PRESENTATION
CERTIFICATES
DESIGN AND MANUFACTURING
TECHNICAL CHARACTERISTICS

1
2 - 3
4 - 5
6 - 7

EMERGENCY SHOWERS AND EYEWASHES



FLOOR MOUNTING
WALL MOUNTING
OVER DOOR
RECESSED MOUNTING
DECONTAMINATION BOOTH

8 - 9
10
11
12
13

EMERGENCY EYEWASHES



WALL MOUNTING
FLOOR MOUNTING
TABLE MOUNTING
DRENCH HOSE EYEWASH
DECONTAMINATION BOOTH

14
15
16 - 17
18
19

EMERGENCY SHOWERS



FLOOR MOUNTING
CEILING MOUNTING
WALL MOUNTING
OVER DOOR
DECONTAMINATION BOOTH

20
21
21
22
23

STAINLESS STEEL SHOWERS AND EYEWASHES



SHOWERS AND EYEWASHES
SHOWERS
EYEWASHES
DECONTAMINATION BOOTH

24
25
26
27

EXTREME TEMPERATURES SHOWERS AND EYEWASHES



FLOOR MOUNTING
WALL MOUNTING
DECONTAMINATION BOOTH

28
29
30

ACCESSORIES



TEMPERED WATER
TEMPERATURE PROTECTION
BOOTH STRUCTURE
SHOWER PLATFORM
SHOWER TEST
WALL SUPPORT
ALARM KIT

31
31
32
32
33
33
33

INSTALLATION AND MAINTENANCE INSTRUCTIONS



INSTALLATION
OPERATION
MAINTENANCE
SIGNS

34
35
35
35

SPARE PARTS



SPARE PARTS

36

Reproduction in whole or part of this catalog by any media without express permission of CARLOS ARBOLES, S.A.



CARLOS ARBOLES S.A

SAFETY EQUIPMENT

GENERAL CATALOGUE 2010



Since 1929, Arboles manufactures tap fittings of diverse types and applications; we now specialise in two product lines:

- **EMERGENCY SHOWERS AND EYEWASHES**
- **TAP FITTINGS FOR LABORATORIES**

CARLOS ARBOLES, S.A. is certified to ISO 9001, and all the products manufactured in the company are made under strict quality standards.

Since 1976 we have been supplying the international market with a full range of Emergency Equipment. In this catalogue we show our current models.

The Emergency Showers and Eyewashes instantly offer water as a FIRST AID treatment to people who have been exposed to: fire, acids, reagents, radioactive materials, and other contaminants that might cause serious or irreparable injury.

This is the most inexpensive method to date for decontamination.





CARLOS ARBOLES, S.A. designs and manufactures Emergency Equipment complying with the current International standards that ensures the user's safety. The requirements of these standards are, among

others: the flow to be supplied by the Emergency Equipment, the distribution of the water pattern on the body, the dimensions of the facility and the operating elements, signs and accessibility aspects.

EUROPEAN STANDARDS

The European Standard EN 15154 applies in Europe. According to this standard, the Emergency Equipment is divided into:

- Emergency Showers used in Laboratories EN 15154-1:2006.
- Emergency Eyewashes EN 15154-2:2006.

The following are the statements of compliance of both standards certified by the Spanish entity APPLUS, and the certification of the standard EN 15154-2:2006 by the German entity DVGW.

In Europe, the only standard for Emergency Showers used in industrial facilities is the German Standard DIN 12899-3:2007.

The following is the compliance statement certified by the entity APPLUS.

AMERICAN STANDARD

At the international level, the American standard ANSI/SEA Z358.1-2009 is recognized worldwide for Emergency Showers and Eyewashes.

The following is the compliance statement certified by the entity APPLUS.

The collage features four certification documents and a yellow shower nozzle. Three documents are 'DECLARATION OF CONFORMITY' forms from LGAJ Technological Center, S.A. - APPLUS. One certifies EN 15154-1:2006 for laboratory showers, another certifies EN 15154-2:2006 for industrial showers, and the third certifies ANSI/SEA Z358.1-2009 for emergency eyewash and shower equipment. The fourth document is a 'DIN-DVGW-Baumusterprüfzertifikat' from DVGW, certifying compliance with DIN EN 15154-2. The yellow nozzle is a circular, perforated plastic component with a central hub and radial spokes.

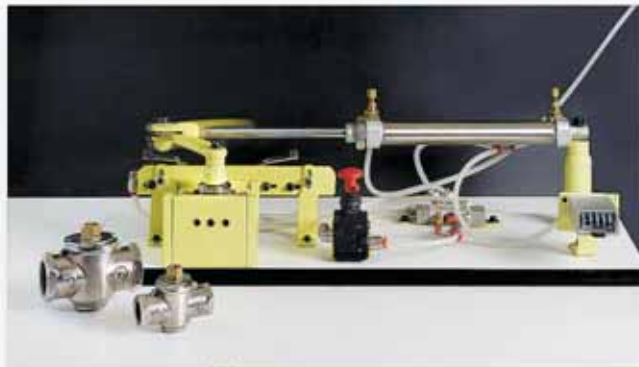
CARLOS ARBOLES, S.A. has its own design and manufacturing team for Emergency Equipment that develops, innovates and improves its products.

DESING

Our technical department continually develop and improve our products, along with specially required projects. The latest CAD/CAM technology is employed for production and PROTOTYPING of components. These prototypes are validated in our test LABORATORY. Strict mechanical and hydraulic tests are performed in the laboratory, which guarantee the functionality of the designs in emergency situations.



CAD/CAM TECHNICAL DEPARTMENT



MECHANICAL TESTING



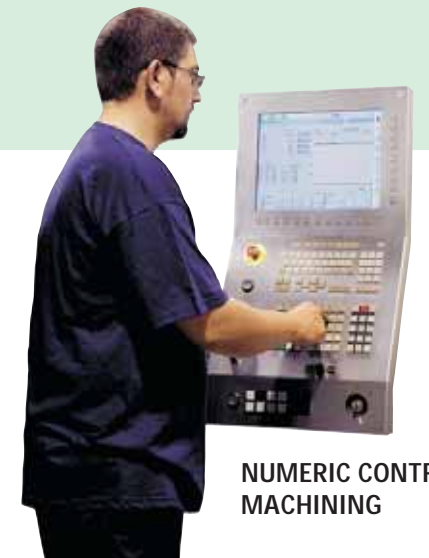
TEST LABORATORY



HYDRAULIC TESTING

MANUFACTURING

The manufacturing process uses high-precision numerical control lathes and machining centers specifically designed for the production of tap fittings. High-performance ovens heat the parts between 300° C and 450° C to later dip them in polyamide 11 powder tanks, where the powder is melted and adheres to the part. After the anti-corrosive coating process, the assembly line finishes the manufacturing process with 100% watertight control of the parts. Throughout the process, the Quality department checks the manufacturing parameters.



NUMERIC CONTROL MACHINING



CNC MACHINING



ANTICORROSIVE PLASTIC COATING



PRODUCTS ARE 100% LEAK TESTED



EMERGENCY SHOWER AND EYEWASHES

CARLOS ARBOLES, S.A. supplies high quality Showers and Eyewashes that are extremely reliable. The following are the main technical characteristics that distinguish our products.

1 HIGH QUALITY MATERIALS

Materials in contact with water are galvanized steel pipes, brass fittings and ABS reinforced plastic. We also have the ability to manufacture equipment in stainless steel.

2 ROBUST CONSTRUCTION

All our products are constructed from high quality materials, where fastening is surface mounting the components are always metallic. This results into a robust equipment for the most adverse conditions.

3 SHOWER HEAD

- The water distribution pattern is in accordance to all relevant standards to give a wide and smooth flow pattern.
- The large Shower head diameter of 250 mm and the design of the flow holes prevent restricted flow caused by lime scale or contamination.

4 FULL RANGE

- We have different models based on their installation, so as WALL, FLOOR, or TABLE mounted. The equipment is supplied disassembled, its assembly is easy and unmistakable. We have different types of mechanisms:
- Shower with a pull handle or lever
 - Automatic opening and closing when entering and leaving the platform
 - Eyewash with a push lever, pedal, or platform operation.

5 EYEWASH ASSEMBLY

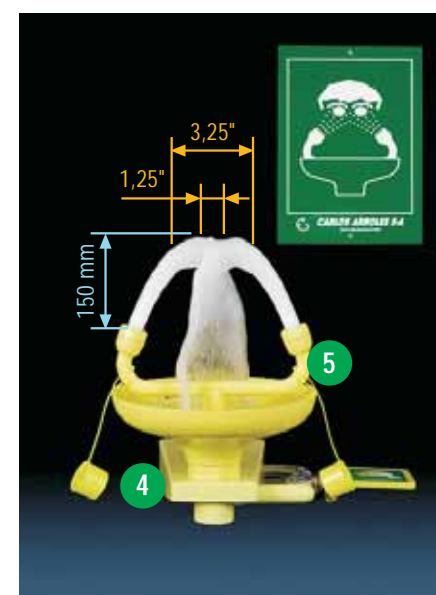
One or two spray heads offer a low pressure aerated water, which flushes the face and the eyes without damaging the delicate eye tissues. The large-diameter jet reaches a 15 cm height, according to the standard. The plastic materials and rounded forms will not cause facial damage in the case of accidental contact. They include an anti-dust cover which operates automatically when the Eyewash unit is activated.

6 ANTI-CORROSIVE AND ENVIRONMENTAL COATING

Anti-corrosive polyamide 11 plastic coating, in HIGH-VISIBILITY YELLOW color. This plastic coating has a thickness of 250 to 300 microns. It has good resistance to acids, bases, sea water, oils... The coating is not derived from petroleum, but is a raw material originating from vegetable oil, and therefore, it preserves the environment. We have a Chemical Resistance Table, which can be consulted on our webpage: www.carlosarboles.com.



ANSI STANDARD
EN STANDARD



7 ANTI SEIZE VALVE

The Shower and Eyewashes include valves that are specifically designed to be used in emergency situations, since they do not become obstructed nor do they stick up after long periods of inactivity. Optimal results after more than 100,000 cycles.

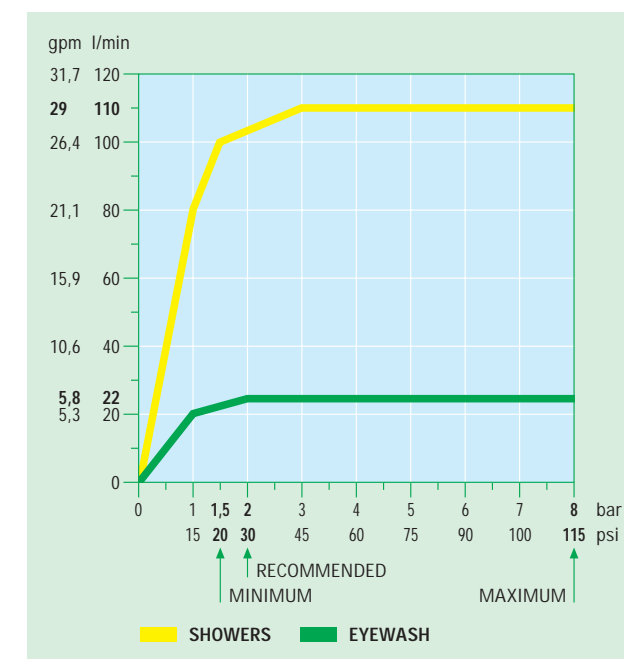
8 TEMPERATURE PROTECTION

In order to prevent freezing or excess temperature in the pipes, we offer different solutions:

- Automatic drain valves to avoid pipe freezing.
- Temperature protection valves, that create a bleed line when the temperatures of the supply piping are extreme.
- Thermostatic valve for the supply of tempered water.

9 FLOW RATE REGULATION

Our valves regulate the water flow, regardless of the inlet pressure. The Showers are regulated at 110 l/min, and the Eyewashes at 22 l/min. Recommended pressure: 2 bar. Maximum pressure: 8 bar. Please notify us if your equipment will operate at pressures lower than 1.5 bar.



10 HIGH-VISIBILITY SIGNALLING

- The Emergency Equipment includes:
- A photoluminescence signaling plate with a green background and white text. Dimensions: 210 x 297 mm
 - Maintenance table and installation instructions.
 - Optionally, an ALARM that may provide a visual and sonorous signal when the Equipment is operated.

INTERNATIONAL STANDARDS

Our products meet or exceed the requirements:

- ANSI Z358.1
- EN 15154 1 and 2
- DIN 12198:3

APPLUS and DVGW Institute of Certifications.

USE

The following models combine the Shower and Eyewashes in one piece of equipment for outdoor and indoor facilities, minimizing the required space, and using a single water inlet for both equipments.

GENERAL FEATURES

- MATERIALS** Galvanized steel piping. Brass fittings and Elbows.
- COATING** Anti-corrosive polyamide 11, high-visibility yellow plastic.
- DOUBLE WATER INLET** G 1" 1/4 BSP.
- WATER INLET PRESSURE** Recommended 2 bar. Minimum 1.5 bar. Maximum 8 bar.
- SHOWER OPERATION** Pull handle.

- SHOWER VALVES** G 1" BSP, regulated at 110 l/min, automatic and instant opening and manual closing.
- EYEWASH OPERATION** Lever, handle.
- EYEWASH HEADS** Two high-flow aerated water spray heads at low pressure with automatic opening anti-dust cover.
- EYEWASH VALVE** G 1/2" BSP, regulated at 22 l/min, automatic and instant opening, and manual closing.

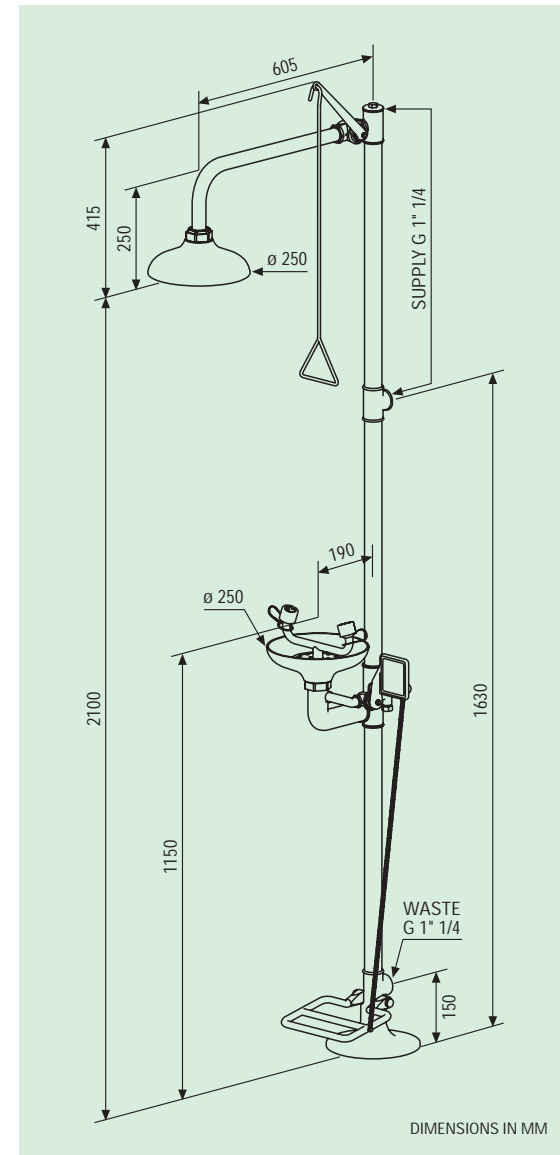
THE UPDATE OF OUR MODELS IS ON THE WEBPAGE www.carlosarboles.com



MOD. 4250

FLOOR MOUNTING

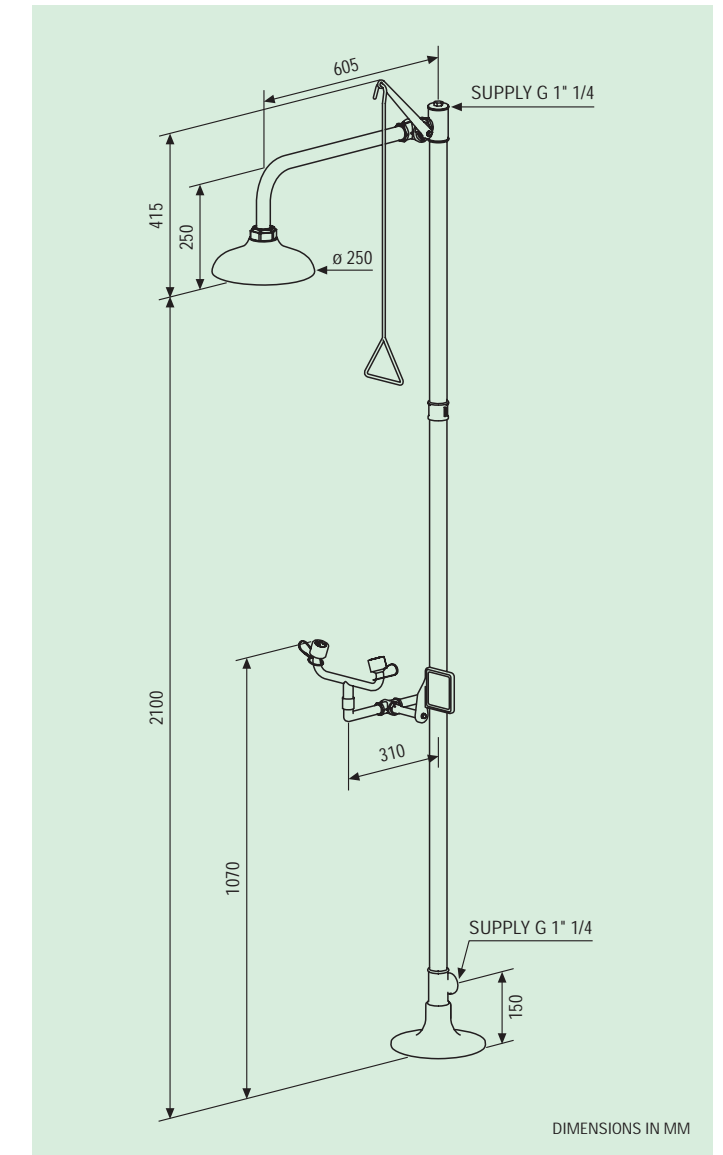
MODELS	SHOWER HEAD/BOWL ABS	SHOWER HEAD/BOWL STAINLESS STEEL	
	4220	4220 SS	
4230	4230 SS	PULL ROD SHOWER, PUSH HANDLE EYEWASH INCLUDES SPRAY UNIT MOD. 3000	
4250	4250 SS	PULL ROD SHOWER, PUSH HANDLE AND FOOT TREADLE EYEWASH	



MOD. 4260

FLOOR MOUNTING

MODELS	SHOWER HEAD ABS	SHOWER HEAD STAINLESS STEEL	PULL ROD SHOWER, PUSH HANDLE EYEWASH WITHOUT BOWL
	4260	4260 SS	



WALL MOUNTING

The following are suitable for outdoor (subject to climate conditions) and indoor facilities combination Shower and Eyewash optimises minimum use of space.

OVER DOOR MOUNTING

Combination Shower and Eyewash can be configured for left or right hand operation following the contour of the door frame or emergency exit.

GENERAL FEATURES

- MATERIALS** Galvanized steel piping. Brass fittings and Elbows.
- COATING** Anti-corrosive polyamide 11, high-visibility yellow plastic.
- WATER INLET** G 1" BSP.
- WATER INLET PRESSURE** Recommended 2 bar. Minimum 1.5 bar. Maximum 8 bar.
- SHOWER OPERATION** Pull handle.

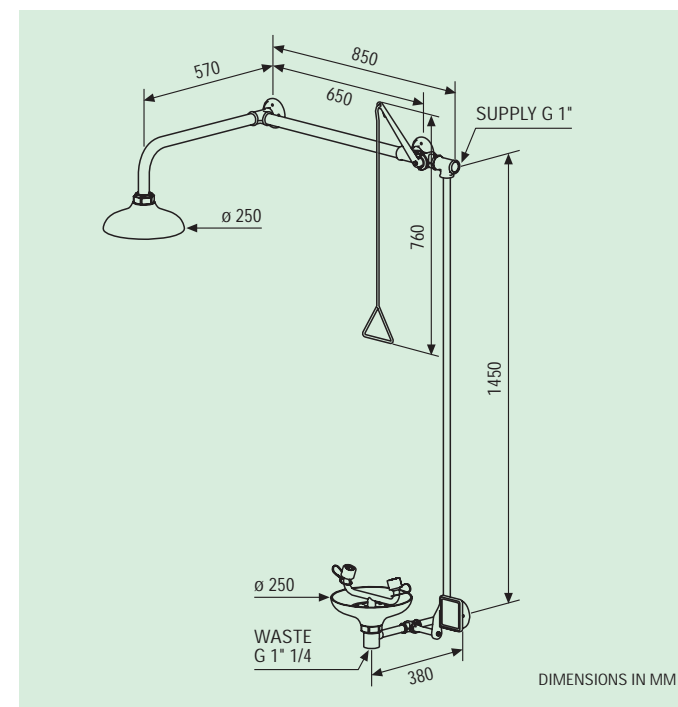
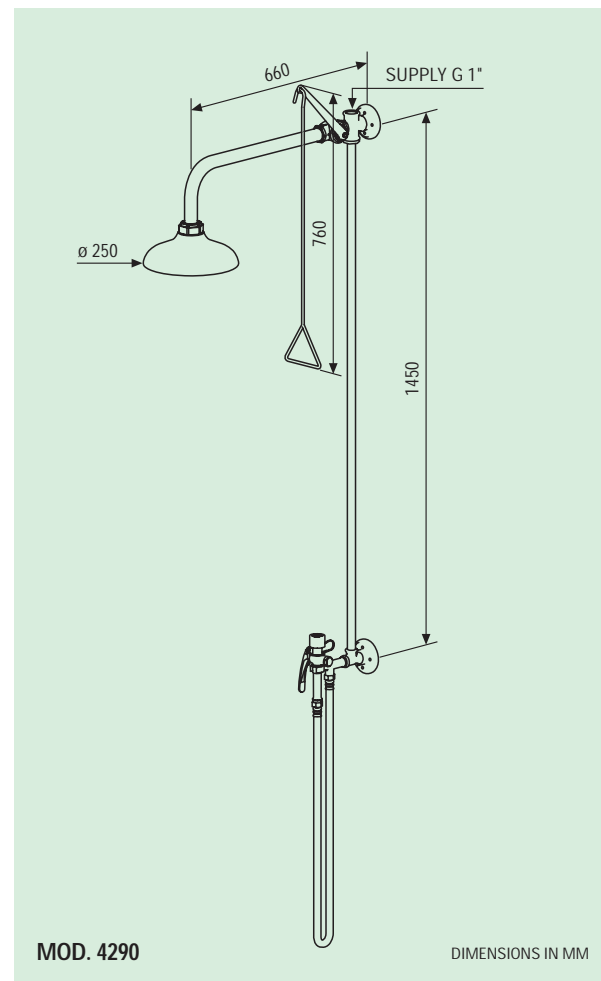
SHOWER VALVE G 1" BSP, regulated at 110 l/min, automatic and instant opening and manual closing.

EYEWASH OPERATION Lever, handle.

EYEWASH HEADS Two high-flow aerated water spray heads at low pressure with automatic opening anti-dust cover.

EYEWASH VALVE G 1/2" BSP, regulated at 22 l/min, automatic and instant opening, and manual closing.

THE UPDATE OF OUR MODELS IS ON THE WEBPAGE www.carlosarboles.com



WALL MOUNTING

MODELS	SHOWER HEAD ABS	SHOWER HEAD STAINLESS STEEL	
	4280	4280 SS	
4285	4285 SS	4285 SS	PULL ROD SHOWER, PUSH HANDLE EYEWASH
4290	4290 SS	4290 SS	PULL ROD SHOWER, DRENCH HOSE EYEWASH
4295	4295 SS	4295 SS	PULL ROD SHOWER, DRENCH HOSE DOUBLE EYEWASH

OVER DOOR

MODELS	PULL ROD	SHOWER HEAD ABS	SHOWER HEAD STAINLESS STEEL	
	RIGHT	4801	4801 SS	
LEFT	4802	4802 SS	4802 SS	PULL ROD SHOWER, PUSH HANDLE EYEWASH
RIGHT	4851	4851 SS	4851 SS	PULL ROD SHOWER, DRENCH HOSE EYEWASH
LEFT	4852	4852 SS	4852 SS	PULL ROD SHOWER, DRENCH HOSE EYEWASH
RIGHT	4901	4901 SS	4901 SS	PULL ROD SHOWER, DRENCH HOSE EYEWASH
LEFT	4902	4902 SS	4902 SS	PULL ROD SHOWER, DRENCH HOSE EYEWASH
RIGHT	4951	4951 SS	4951 SS	PULL ROD SHOWER, DRENCH HOSE DOUBLE EYEWASH
LEFT	4952	4952 SS	4952 SS	PULL ROD SHOWER, DRENCH HOSE DOUBLE EYEWASH





RECESSED MOUNTING USE

Indoor Shower combination with Eyewash recessed in the wall. Eyewash operates when opening stainless steel case.

DECONTAMINATION BOOTH USE

The use of the Decontamination Booths in external facilities is completely automatic when a person enters the platform. Automatic drain valve for residual water.

GENERAL FEATURES

- MATERIALS** Galvanized steel piping. Brass fittings and Elbows.
- COATING** Anti-corrosive polyamide 11, high-visibility yellow plastic.
- WATER INLET** G 1" BSP or G 1" 1/4 BSP.
- WATER INLET PRESSURE** Recommended 2 bar. Minimum 1.5 bar. Maximum 8 bar.

SHOWER OPERATION Pull handle.

SHOWER VALVE G 1" 1/4 BSP, regulated at 110 l/min.

EYEWASH HEADS Two high-flow aerated water spray heads at low pressure with automatic opening anti-dust cover.

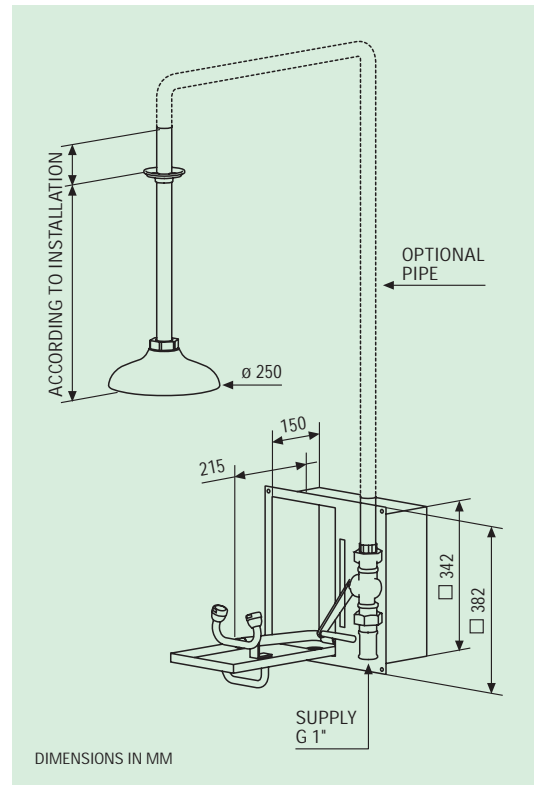
THE UPDATE OF OUR MODELS IS ON THE WEBPAGE
www.carlosarboles.com



MOD. 4275

RECESSED MOUNTING

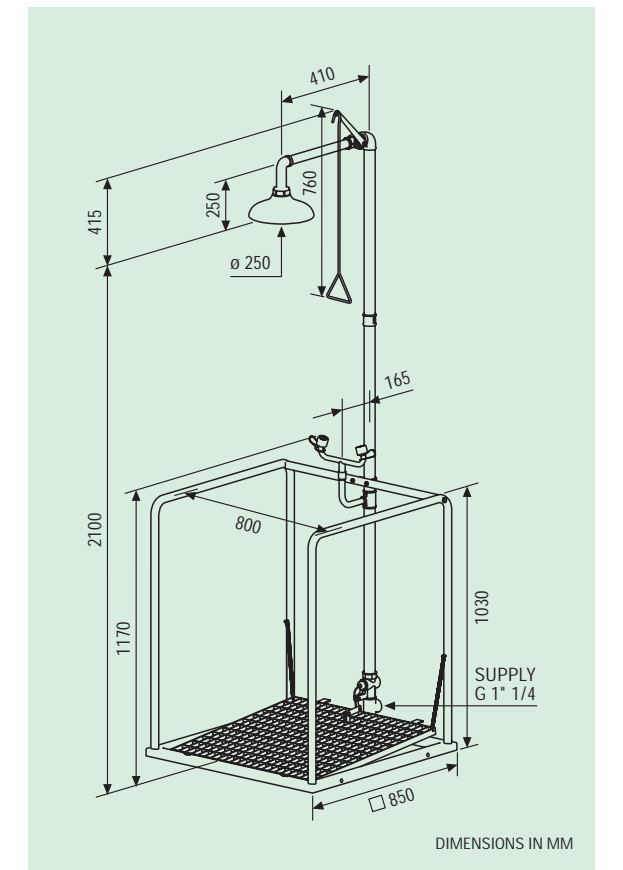
MODELS	SHOWER HEAD ABS	SHOWER HEAD STAINLESS STEEL	DESCRIPTION
1275	1275 SS		RECESSED SHOWER, PULL ROD SHOWER
2275			RECESSED EYEWASH, OPENING BOX EYEWASH
4275	4275 SS		RECESSED SHOWER AND EYEWASH, PULL ROD SHOWER, OPENING BOX EYEWASH



MOD. 4730

DECONTAMINATION BOOTH

MODELS	SHOWER HEAD ABS	SHOWER HEAD STAINLESS STEEL	DESCRIPTION
4700	4700 SS		EMERGENCY SHOWER AND EYEWASH DOUBLE PLATFORM SEPARATE OPERATION
4720	4720 SS		EMERGENCY SHOWER AND EYEWASH PLATFORM SIMULTANEOUS OPERATION
4730	4730 SS		EMERGENCY SHOWER AND EYEWASH PLATFORM INDEPENDENT OPERATION



USE

In outdoor or indoor facilities the Eyewashes are activated by pushing the lever.

GENERAL FEATURES

- MATERIALS** Galvanized steel piping. Brass fittings and Elbows.
- COATING** Anti-corrosive polyamide 11, high-visibility yellow plastic.
- WATER INLET** G 1/2" BSP.
- WATER INLET PRESSURE** Recommended 2 bar. Minimum 1.5 bar. Maximum 8 bar.

EYEWASH OPERATION Lever, handle.

EYEWASH HEADS Two high-flow aerated water spray heads at low pressure with automatic opening anti-dust cover.

EYEWASH VALVE G 1/2" BSP, regulated at 22 l/min, automatic and instant opening, and manual closing.

INSTALLATION Height assembly see pag. 34.

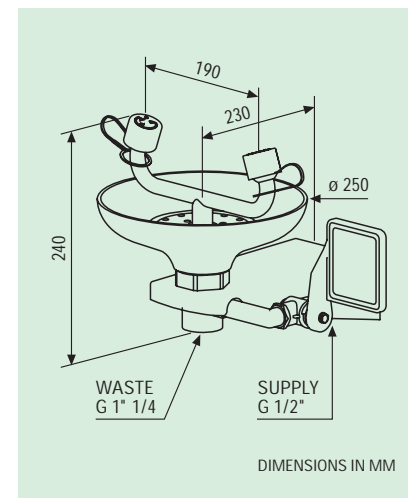
THE UPDATE OF OUR MODELS IS ON THE WEBPAGE www.carlosarboles.com



MOD. 2210

WALL MOUNTING

MODELS	BOWL	BOWL	
	ABS	STAINLESS STEEL	
2210	2210 ABS	2210 SS	WALL EYEWASH
2230	2230 ABS	2230 SS	EYEWASH WITH DRENCH HOSE MOD. 3000
3510			EYEWASH WITHOUT BOWL



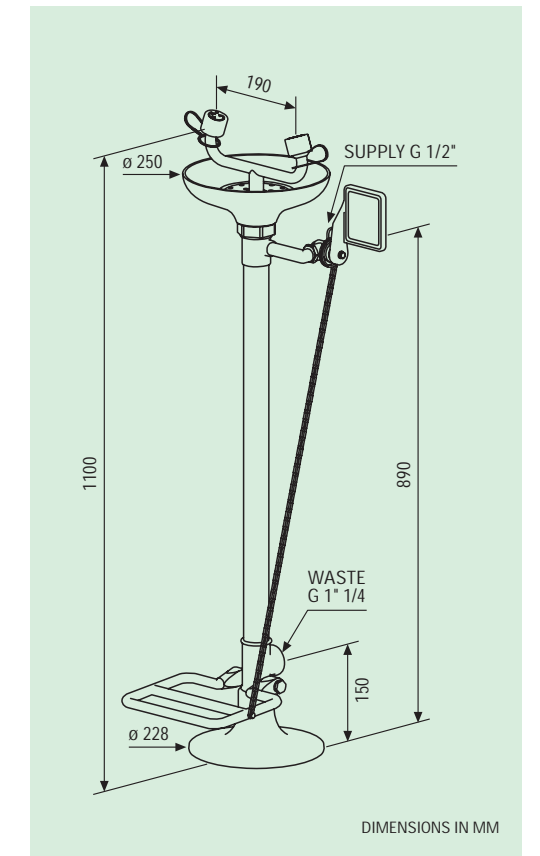
MOD. 3510



MOD. 2710

FLOOR MOUNTING

MODELS	BOWL	BOWL	
	ABS	STAINLESS STEEL	
2220	2220 ABS	2220 SS	PEDESTAL EYEWASH
2240	2240 ABS	2240 SS	EYEWASH WITH DRENCH HOSE MOD. 3000
2710	2710 ABS	2710 SS	EYEWASH DOUBLE CONTROL HANDLE/TREADLE





USE

Series of Eyewashes specially designed for their installation in laboratories, directly on the work table itself.

GENERAL FEATURES

- MATERIALS** Galvanized steel piping. Brass fittings and Elbows.
- COATING** Anti-corrosive polyamide 11, high-visibility yellow plastic.
- WATER INLET** G 1/2" BSP.
- WATER INLET PRESSURE** Recommended 2 bar. Minimum 1.5 bar. Maximum 8 bar.

EYEWASH OPERATION Lever, handle.

EYEWASH HEADS Two high-flow aerated water spray heads at low pressure with automatic opening anti-dust cover.

EYEWASH VALVE G 1/2" BSP, regulated at 22 l/min, automatic and instant opening, and manual closing.

THE UPDATE OF OUR MODELS IS ON THE WEBPAGE www.carlosarboles.com

EMERGENCY EYEWASH

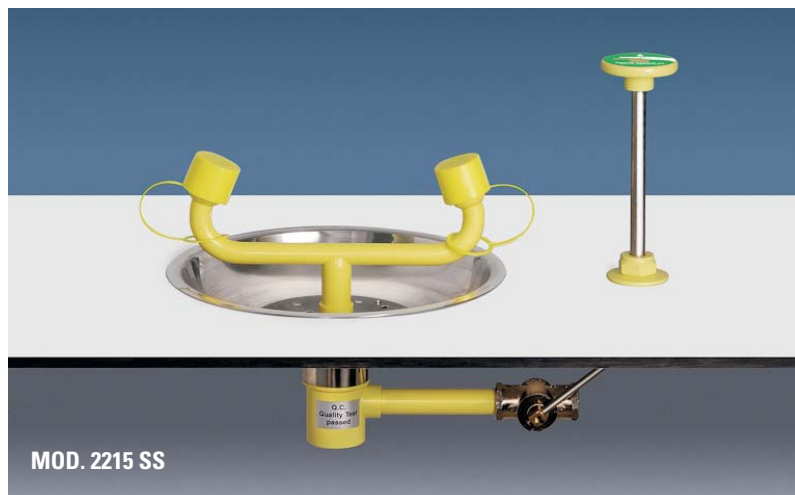
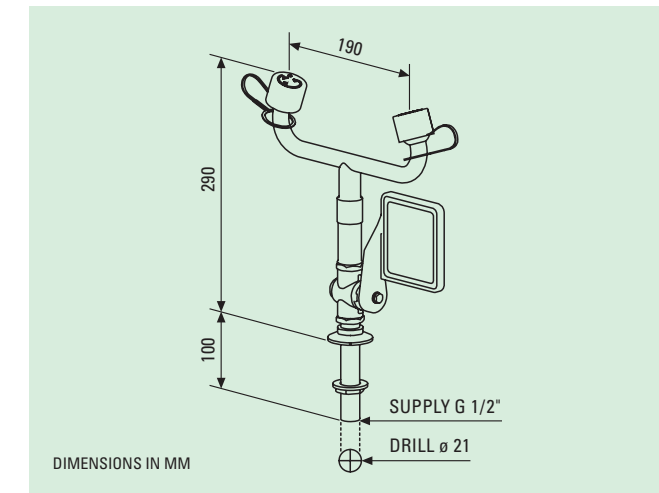
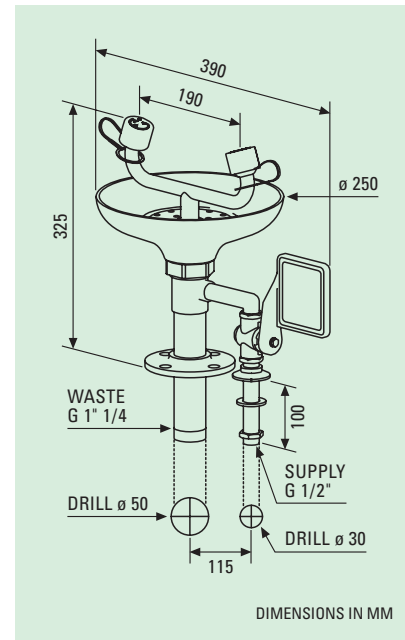
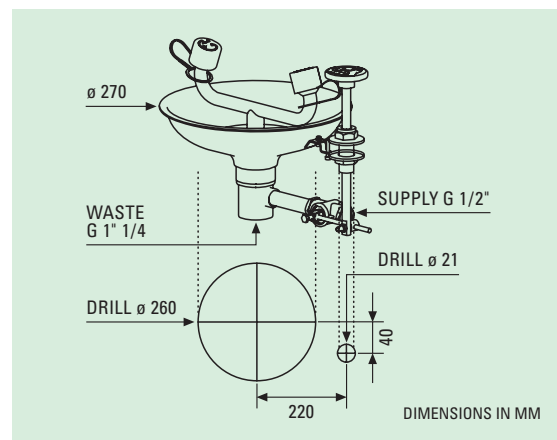
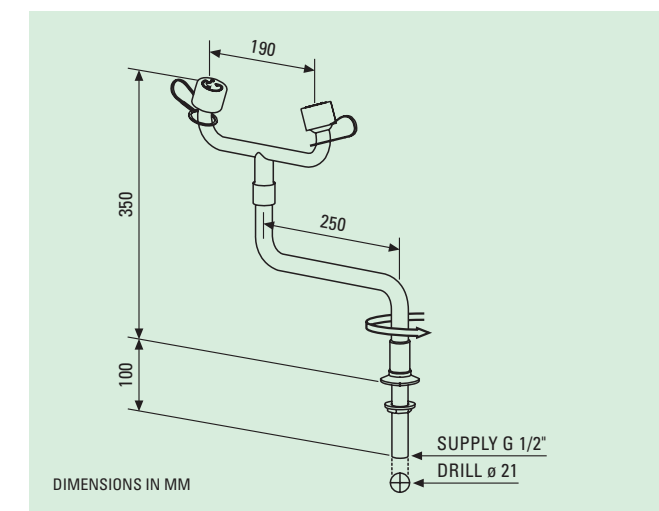
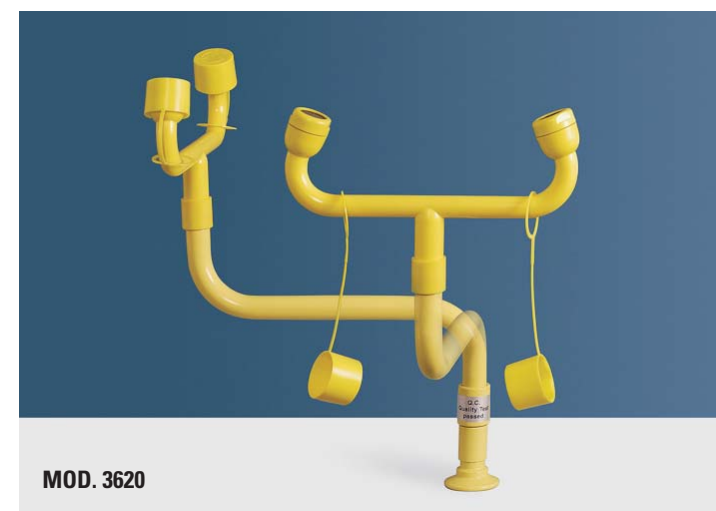
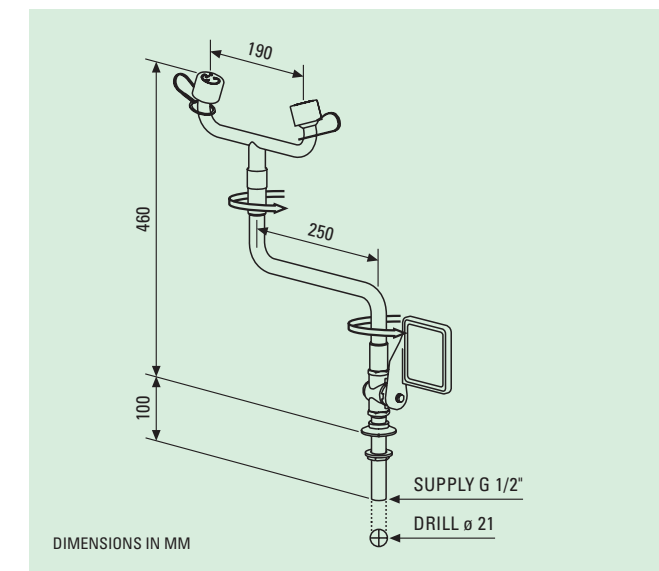


TABLE MOUNTING

	BOWL ABS	BOWL STAINLESS STEEL	
MODELS	2212	2212 SS	EYEWASH
		2215 SS	TABLE RECESSED EYEWASH
	3500		EYEWASH WITHOUT BOWL
	3610		SWIVEL EYEWASH WITHOUT BOWL HANDLE OPENING
	3620		SWIVEL EYEWASH WITHOUT BOWL 90° TURN OPENING





DRENCH HOSE EYEWASH USE

Manual Eyewashes with 1.5 mtr long flexible tube, with one or two high-flow water spray heads at low pressure. To be used in industry, laboratories, schools, etc.

DECONTAMINATION BOOTH USE

The use of the Decontamination Booths in outdoor facilities is completely automatic when a person enters the platform. Automatic emptying valve for the tube water.

GENERAL FEATURES

- MATERIALS** Galvanized steel piping. Brass fittings and Elbows.
- COATING** Anti-corrosive polyamide 11, high-visibility yellow plastic.
- WATER INLET** G 1/2" BSP.
- WATER INLET PRESSURE** Recommended 2 bar. Minimum 1.5 bar. Maximum 8 bar.

EYEWASH OPERATION Lever, handle.

EYEWASH HEADS Two high-flow aerated water spray heads at low pressure with automatic opening anti-dust cover.

EYEWASH VALVE G 1/2" BSP, regulated at 15 l/min, automatic and instant opening, and manual closing.

THE UPDATE OF OUR MODELS IS ON THE WEBPAGE www.carlosarboles.com

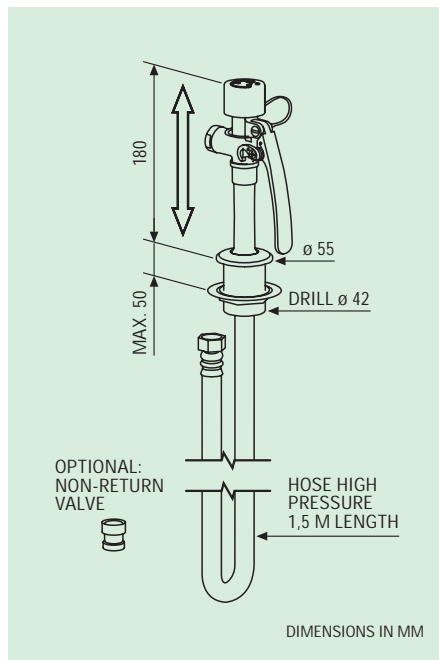
EMERGENCY EYEWASH



DRENCH HOSE EYEWASH

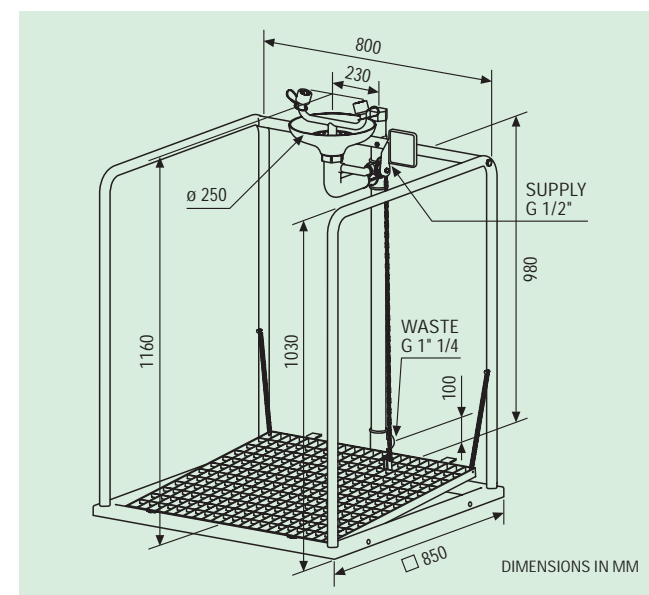
MODELS

- 3000** WALL EYEWASH WITH SINGLE HEAD
- 3100** WALL EYEWASH WITH SINGLE HEAD AND WALL FEEDING BRACKET
- 3110** WALL EYEWASH WITH DOUBLE HEAD AND WALL FEEDING BRACKET
- 3120** TABLE EYEWASH WITH SINGLE HEAD
- 3130** TABLE EYEWASH WITH DOUBLE HEAD
- 190030** OPTIONAL NON-RETURN VALVE



DECONTAMINATION BOOTH

	BOWL ABS	BOWL STAINLESS STEEL	
MODEL	4750	4750 SS	EYEWASH PLATFORM





USE

In outdoor and indoor facilities the Emergency Showers are activated by pulling the lever.

GENERAL FEATURES

- MATERIALS** Galvanized steel piping. Brass fittings and Elbows.
- COATING** Anti-corrosive polyamide 11, high-visibility yellow plastic.
- WATER INLET** G 1" BSP or G 1" 1/4 BSP.
- WATER INLET PRESSURE** Recommended 2 bar. Minimum 1.5 bar. Maximum 8 bar.

- SHOWER OPERATION** Pull handle.
- SHOWER VALVE** G 1" BSP, regulated at 110 l/min.
- INSTALLATION** Height assembly see pag. 34.

THE UPDATE OF OUR MODELS IS ON THE WEBPAGE
www.carlosarboles.com

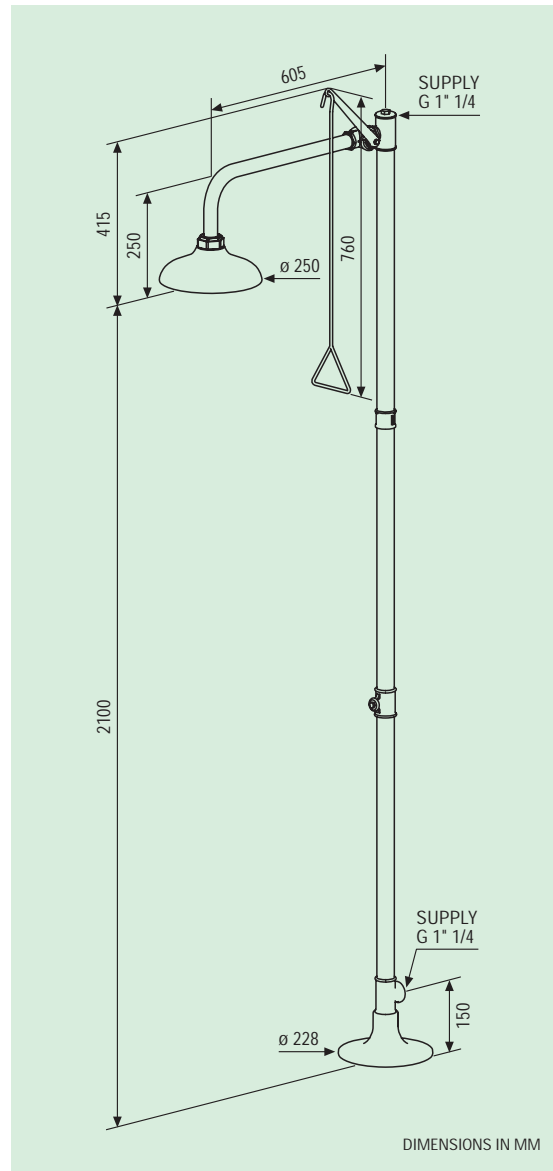
EMERGENCY SHOWER



MOD. 1120

FLOOR MOUNTING

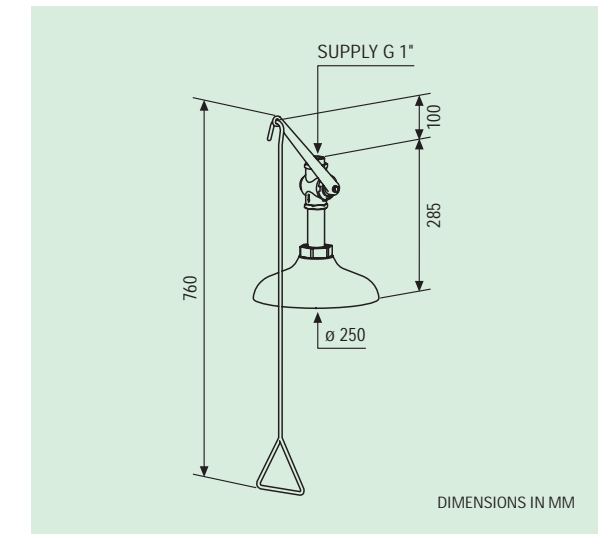
	SHOWER HEAD ABS	SHOWER HEAD STAINLESS STEEL	
MODEL	1120	1120 SS	PEDESTAL SHOWER



MOD. 1100

CEILING MOUNTING

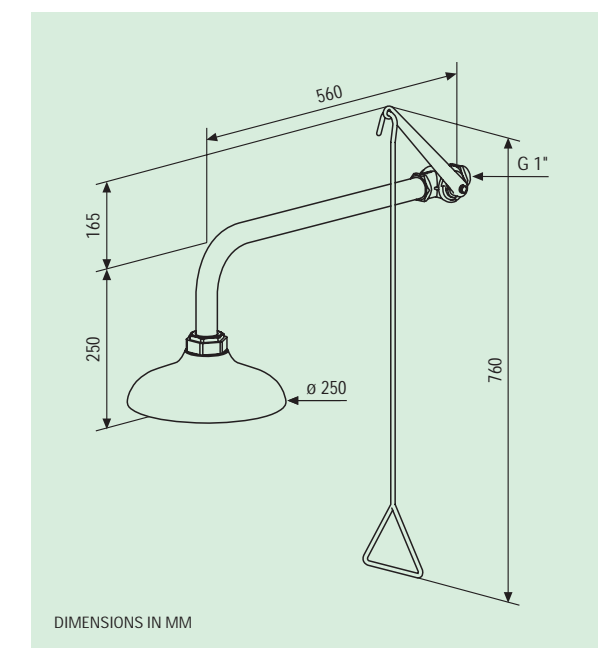
	SHOWER HEAD ABS	SHOWER HEAD STAINLESS STEEL	
MODEL	1100	1100 SS	VERTICAL SHOWER



MOD. 1110

WALL MOUNTING

	SHOWER HEAD ABS	SHOWER HEAD STAINLESS STEEL	
MODEL	1110	1110 SS	HORIZONTAL SHOWER



OVER DOOR USE

In indoor facilities the Emergency Showers are installed over a door or emergency exit.

DECONTAMINATION BOOTH USE

The Shower Decontamination Booths with 14 sprays nozzles in outdoor facilities are automatically activated when a person enters the platform. Automatic emptying valve for the tube water.

GENERAL FEATURES

- MATERIALS** Galvanized steel piping. Brass fittings and Elbows.
- COATING** Anti-corrosive polyamide 11, high-visibility yellow plastic.
- WATER INLET** G 1" BSP or G 1" 1/4 BSP.
- WATER INLET PRESSURE** Recommended 2 bar. Minimum 1.5 bar. Maximum 8 bar.

SHOWER OPERATION Pull handle or platform.

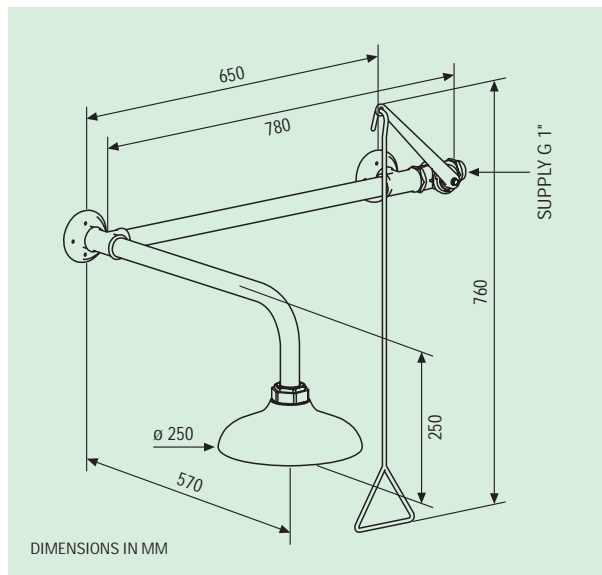
SHOWER VALVE G 1" BSP or G 1" 1/4 BSP, automatic and instant opening and manual closing.

INSTALLATION Height assembly see pag. 34.

THE UPDATE OF OUR MODELS IS ON THE WEBPAGE www.carlosarboles.com



MOD. 1141



OVER DOOR

MODELS	SHOWER HEAD ABS	SHOWER HEAD STAINLESS STEEL	CONTROL
1141		1141 SS	EMERGENCY SHOWER RIGHT CONTROL
1142		1142 SS	EMERGENCY SHOWER LEFT CONTROL



MOD. 4810

DECONTAMINATION BOOTH

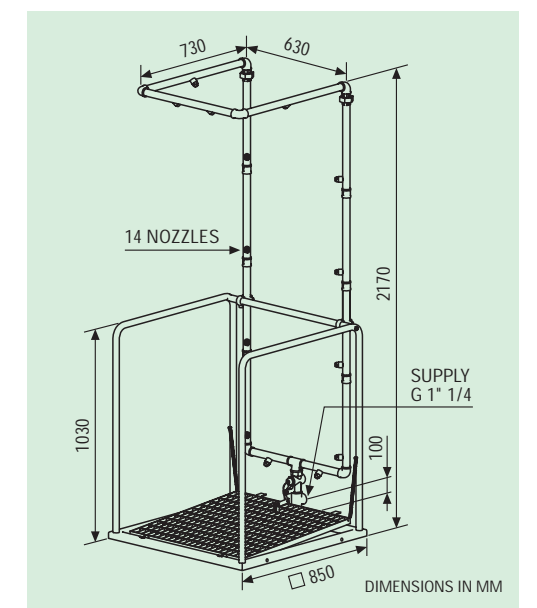
MODEL 4710
SHOWER PLATFORM, SHOWER HEAD ABS

MODEL 4710 SS
SHOWER PLATFORM, SHOWER HEAD STAINLESS STEEL

MODEL 4810
PLATFORM WITH 14 SPRAYS



MOD. 4710



USE

Series of Emergency Showers and Eyewashes completely constructed of stainless steel to be installed in food industries, nuclear energy, etc. The models combine the Shower and Eyewashes between them, minimizing the required space, and using a sole water inlet for both pieces of equipment.

GENERAL FEATURES

MATERIALS Stainless steel piping and fittings.

WATER INLET G 1" BSP or G 1" 1/4 BSP.

WATER INLET PRESSURE Recommended 2 bar. Minimum 1.5 bar. Maximum 8 bar.

SHOWER OPERATION Pull handle.

SHOWER VALVE G 1" BSP, manual operation by push handle.

EYEWASH OPERATION Lever, handle.

EYEWASH VALVE G 1/2" BSP, manual operation by push handle.

INSTALLATION Height assembly see pag. 34.

THE UPDATE OF OUR MODELS IS ON THE WEBPAGE www.carlosarboles.com

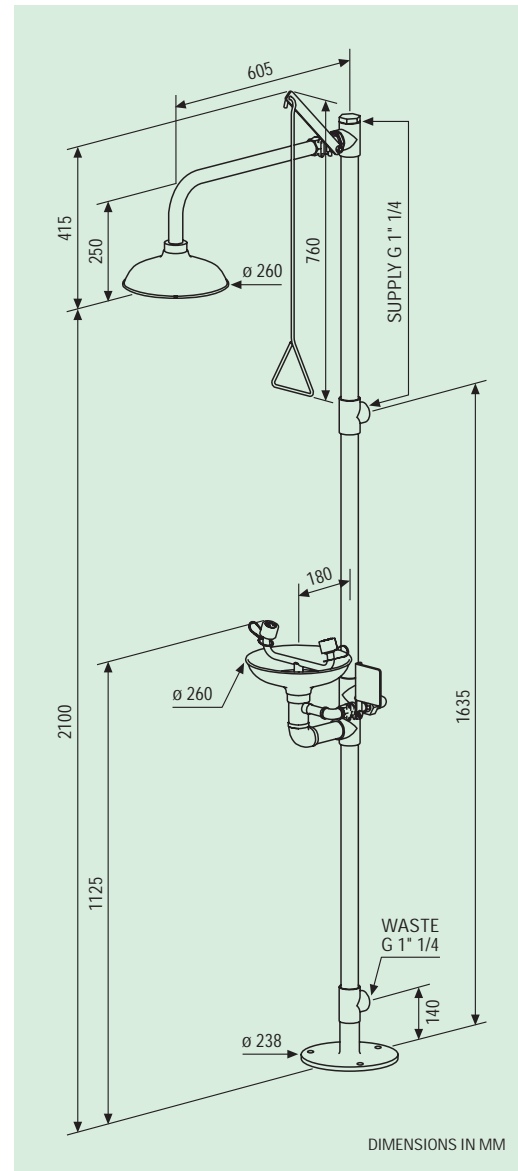


MOD. 4220 TI

SHOWERS AND EYEWASH

MODELS

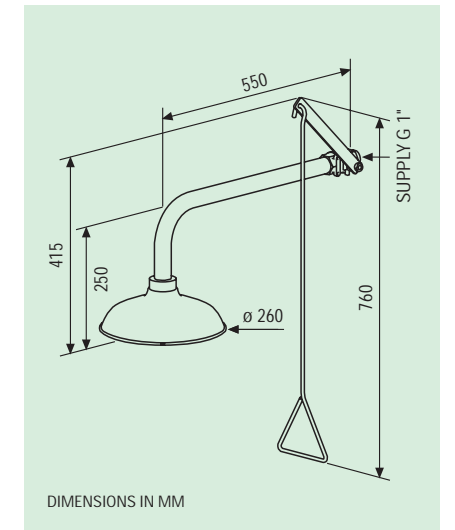
- 4220 TI PULL ROD SHOWER, PUSH HANDLE EYEWASH
- 4250 TI PULL ROD SHOWER, PUSH HANDLE AND FOOT TREADLE EYEWASH
- 4260 TI PULL ROD SHOWER, PUSH HANDLE EYEWASH WITHOUT BOWL



MOD. 4260 TI

SHOWERS

- 1100 TI VERTICAL SHOWER
- 1110 TI HORIZONTAL SHOWER
- 1120 TI PEDESTAL SHOWER



USE

Series of Emergency Eyewashes and Booth Stations completely constructed of stainless steel to be installed in food industries, nuclear energy, etc.

GENERAL FEATURES

MATERIALS Stainless steel piping and fittings.

WATER INLET G 1/2" BSP (Eyewash), G 1" 1/4 BSP (Cabin).

WATER INLET PRESSURE Recommended 2 bar. Minimum 1.5 bar. Maximum 8 bar.

SHOWER OPERATION Pull handle or platform.

SHOWER VALVE G 1" BSP, manual operation by push handle.

EYEWASH OPERATION Lever, handle.

EYEWASH VALVE G 1/2" BSP, manual operation by push handle.

INSTALLATION Height assembly see pag. 34.

THE UPDATE OF OUR MODELS IS ON THE WEBPAGE www.carlosarboles.com



MOD. 2210 TI

EYEWASH

MODELS

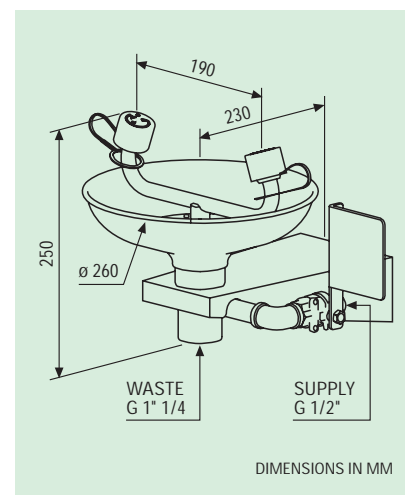
2210 TI	WALL EYEWASH WITH BOWL
2220 TI	PEDESTAL EYEWASH WITH BOWL
3510 TI	EYEWASH WITHOUT BOWL



MOD. 2220 TI



MOD. 3510 TI



DIMENSIONS IN MM

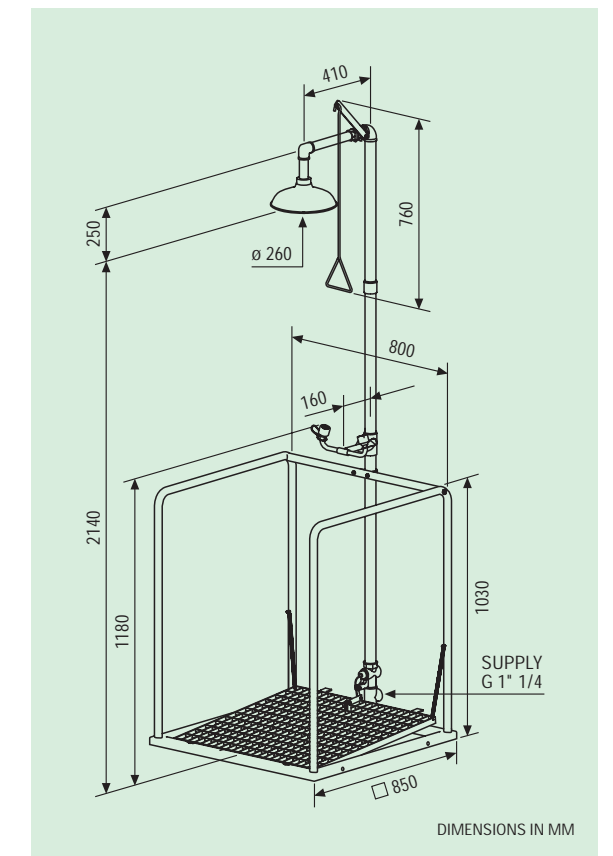


MOD. 4730 TI

DECONTAMINATION BOOTH

MODELS

4700 TI	EMERGENCY SHOWER AND EYEWASH DOUBLE PLATFORM SEPARATE OPERATION
4710 TI	SHOWER PLATFORM, SHOWER HEAD ABS
4720 TI	EMERGENCY SHOWER AND EYEWASH PLATFORM SIMULTANEOUS OPERATION
4730 TI	EMERGENCY SHOWER AND EYEWASH PLATFORM INDEPENDENT OPERATION
4750 TI	EYEWASH PLATFORM



DIMENSIONS IN MM



USE

In outdoor facilities with extreme low or high temperatures. The floor equipment uses underground valves with automatic drains. The wall equipment is supplied inside the building. When the operating lever is pushed, the water enters the supply pipe to the Shower or Eyewash, when closing the valve after use the residual water drains via the automatic drain valve thus preventing the system from freezing.

GENERAL FEATURES

MATERIALS Galvanized steel piping. Brass fittings and Elbows.
COATING Anti-corrosive polyamide 11, high-visibility yellow plastic.
WATER INLET G 1/2" BSP, G 1" BSP o G 1" 1/4 BSP.
WATER INLET PRESSURE Recommended 2 bar. Minimum 1.5 bar. Maximum 8 bar.

SHOWER/EYEWASH OPERATION Pull lever handle/Push handle.

SHOWER VALVE G 1" BSP, automatic and instant opening and manual closing.

EYEWASH HEADS Two high-flow aerated water spray heads at low pressure with automatic opening anti-dust cover.

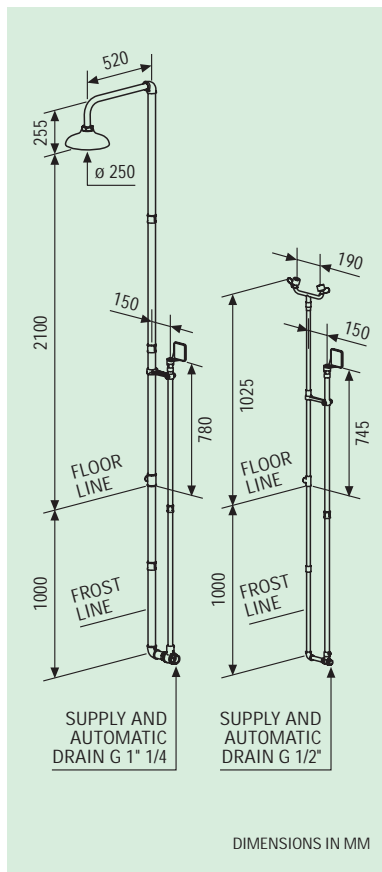
EYEWASH VALVE G 1/2" BSP, manual operation by push handle.

INSTALLATION Height assembly see pag. 34.

THE UPDATE OF OUR MODELS IS ON THE WEBPAGE www.carlosarboles.com

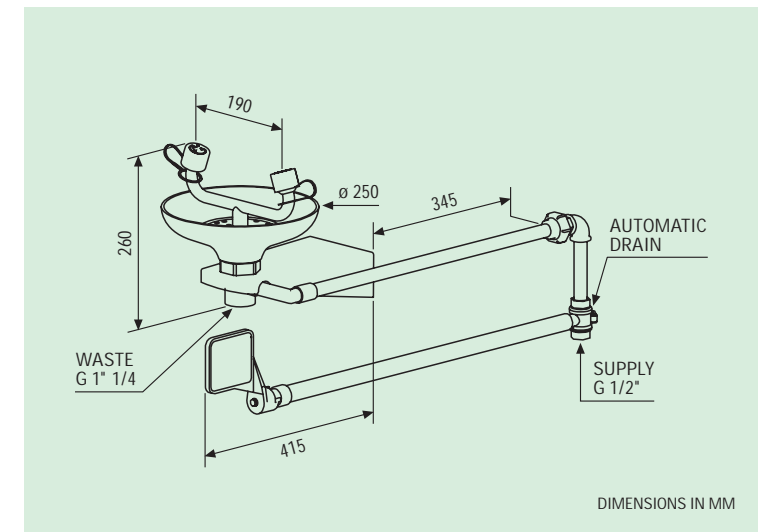
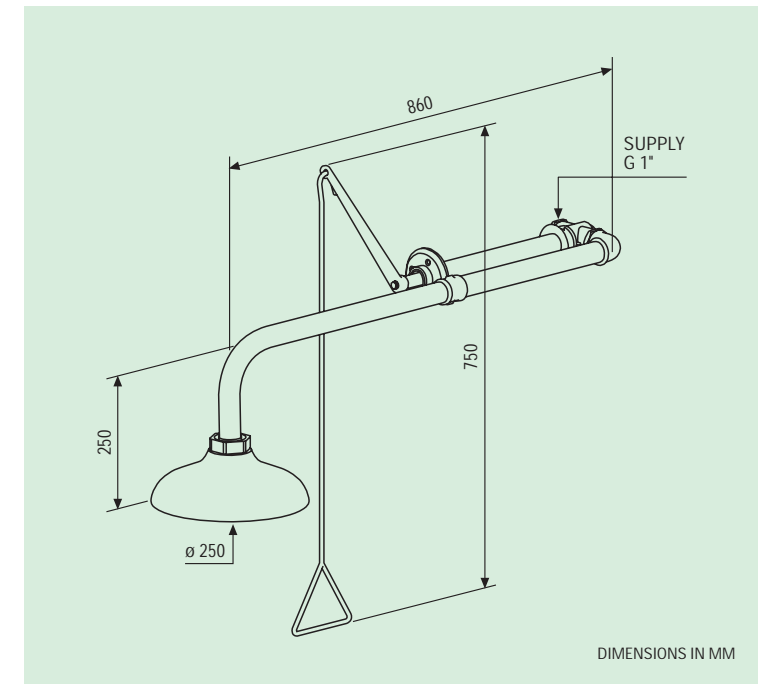
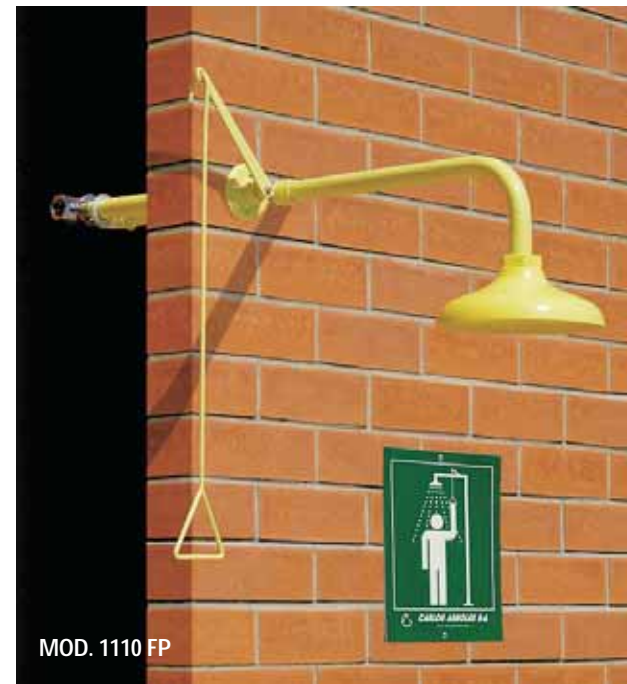
FLOOR MOUNTING

	SHOWER HEAD ABS	SHOWER HEAD STAINLESS STEEL	
MODELS	1120 FP	1120 FP/SS	TEMPERATURE SHOWER PROTECTION
	2220 FP		TEMPERATURE EYEWASH PROTECTION



WALL MOUNTING

	SHOWER HEAD ABS	SHOWER HEAD STAINLESS STEEL	
MODELS	1110 FP	1110 FP/SS	TEMPERATURE SHOWER PROTECTION
	BOWL ABS	BOWL STAINLESS STEEL	
MODELS	2210 FP	2210 FP/SS	TEMPERATURE EYEWASH PROTECTION



USE

In outdoor facilities with extreme low or high temperatures. The operation of Decontamination Booths is completed when a person enters the platform. The equipment uses underground valves with an automatic drain.

When standing on the platform the water enters the supply pipe to the Shower or Eyewash. When exiting after use, the residual water drains via the automatic drain valve thus preventing the system from freezing.

GENERAL FEATURES

- MATERIALS** Galvanized steel piping. Brass fittings and Elbows.
- COATING** Anti-corrosive polyamide 11, high-visibility yellow plastic.
- WATER INLET** G 1" BSP.
- WATER INLET PRESSURE** Recommended 2 bar. Minimum 1.5 bar. Maximum 8 bar.

- SHOWER OPERATION** Pull handle.
- SHOWER VALVE** G 1" BSP, automatic and instant opening and manual closing.
- EYEWASH HEADS** Two high-flow aerated water spray heads at low pressure with automatic opening anti-dust cover.
- EYEWASH VALVE** G 1/2" BSP, regulated at 22 l/min, automatic and instant opening, and manual closing.

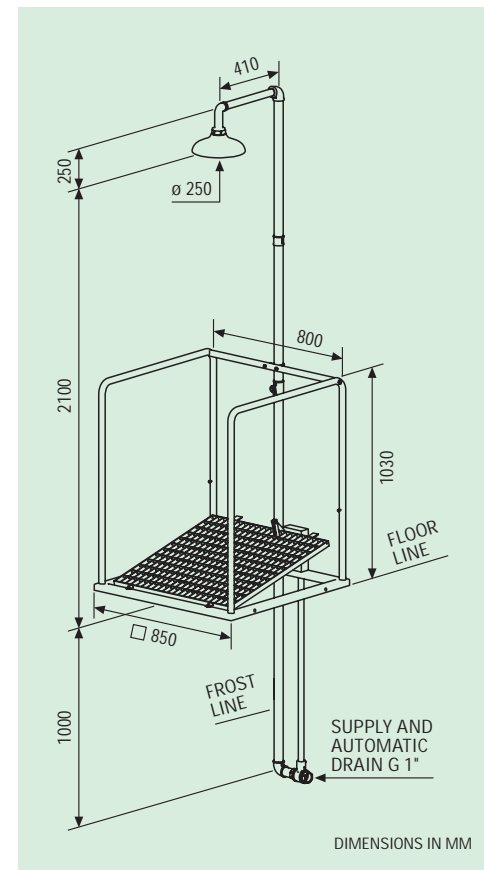
THE UPDATE OF OUR MODELS IS ON THE WEBPAGE www.carlosarboles.com



MOD. 4710 FP

DECONTAMINATION BOOTH

MODELS	SHOWER HEAD ABS	SHOWER HEAD STAINLESS STEEL	DESCRIPTION
4700 FP	4700 FP/SS		EMERGENCY SHOWER AND EYEWASH DOUBLE PLATFORM SEPARATE OPERATION
4710 FP	4710 FP/SS		SHOWER PLATFORM
4720 FP	4720 FP/SS		EMERGENCY SHOWER AND EYEWASH PLATFORM SIMULTANEOUS OPERATION
4730 FP	4730 FP/SS		EMERGENCY SHOWER AND EYEWASH PLATFORM INDEPENDENT OPERATION
4750 FP	4750 FP/SS		EYEWASH PLATFORM
4810 FP			PLATFORM WITH 14 SPRAYS



ACCESSORIES



MODEL 195015 THERMOSTATIC VALVE FOR THE GUARANTEED SUPPLY OF COLD AND TEMPERED WATER

MODEL 195020 THERMOSTATIC SAFETY VALVE WITH COLD WATER BYPASS IN CASE OF FAILURE OF HOT WATER FAILURE

MODEL 195025 THERMOSTATIC DOUBLE SAFETY VALVE WITH COLD WATER BYPASS IN CASE OF HOT WATER FAILURE AND A SECOND THERMOSTATIC VALVE OF THE TEMPERATURE IS ABOVE 35° C

TEMPERED WATER

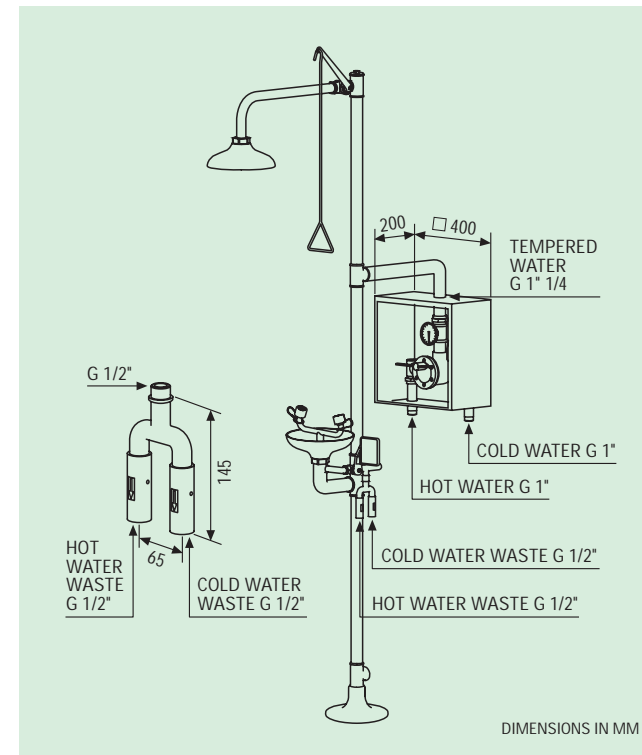
In order to avoid thermal shock, it is possible to include a high-flow thermostatic mixer in the Shower and Eyewash, specifically designed for Emergency Equipment that supply tempered water.



MOD. 195025

TEMPERATURE PROTECTION

Completely automatic operation valve without using outdoor energy. These valves are installed so that they are always in contact with the water of the Shower or Eyewash. The excess heat valve sensor in contact with the water is opened when the water reaches a temperature of 40.6° C, establishing a bleed line, avoiding the use of the Shower or Eyewash water at excessive temperature. The bleeding stops when the water temperature reaches 35° C, and it stays closed at lower temperatures. The anti-ice valve sensor is in contact with the water, and is opened when the water reaches a temperature of 1.7° C establishing a bleed line, thus avoiding the freezing of water in the piping; when the water temperature reaches 4.4° C, it is automatically closed, and the bleeding stops.



MOD. 195010

MOD. 195012

MODEL 195010 FREEZE PROOF VALVE
MODEL 195012 ANTI SCALD VALVE



BOOTH STRUCTURE

Made from anodized aluminum to be fastened without drilling to the Decontamination Booths, models 4710 - 4720 - 4730 - 4750. The three sides are closed by PVC panels in high-visibility yellow. The structure reduces the thermal shock, and protects from the wind and cold.



MODEL 194740
STRUCTURE FOR DECONTAMINATION SHOWERS

SHOWER PLATFORM

Accessory to activate all the Showers by platform, models 1120 - 4220 - 4230 - 4250 - 4260, and close the Shower by a lever.



MODEL 194900
SHOWER PLATFORM
FOR MODELS 1120 - 4220 - 4230 - 4250 - 4260

SHOWER TEST

Essential for flow control of the Emergency Shower Stations. Made of a polythene tube.



MODEL 195003
TEST FOR SHOWER



MODEL 190121
WALL SUPPORT MODEL 1110

ALARM

Visual and sonorous alarm activated when the water flows through the piping when activating the Emergency Equipment. Optionally, it sends an operation signal to the control or emergency room of the facility.



ALARM KIT

Visual and sonorous alarm with flow switch

MODEL 195030
FOR NON-EXPLOSIVE
ATMOSPHERES FOR
SHOWERS/EYEWASH

MODEL 195035
FOR NON-EXPLOSIVE
ATMOSPHERES FOR EYEWASH

MODEL 195040
FOR EXPLOSIVE ATMOSPHERES
FOR SHOWERS/EYEWASH

MODEL 195045
FOR EXPLOSIVE ATMOSPHERES
FOR EYEWASH

THE UPDATE OF OUR MODELS
IS ON THE WEBPAGE
www.carlosarboles.com



EMERGENCY SHOWER AND EYEWASH

The following are the basic installation standards for Emergency Equipment.

INSTALLATION

EMERGENCY EQUIPMENT LOCATION

The location of Emergency Equipment should comply with the following conditions:

- It should be installed in places that are highly-visible and easily accessed from at least in three directions.
- It should be installed in those areas where there is danger, and should not be more than 10 seconds away from the place where the accident can occur.
- It should be placed at the same level as the source of danger, without any obstruction in the path to the Emergency Equipment, such as doors.

ASSEMBLY

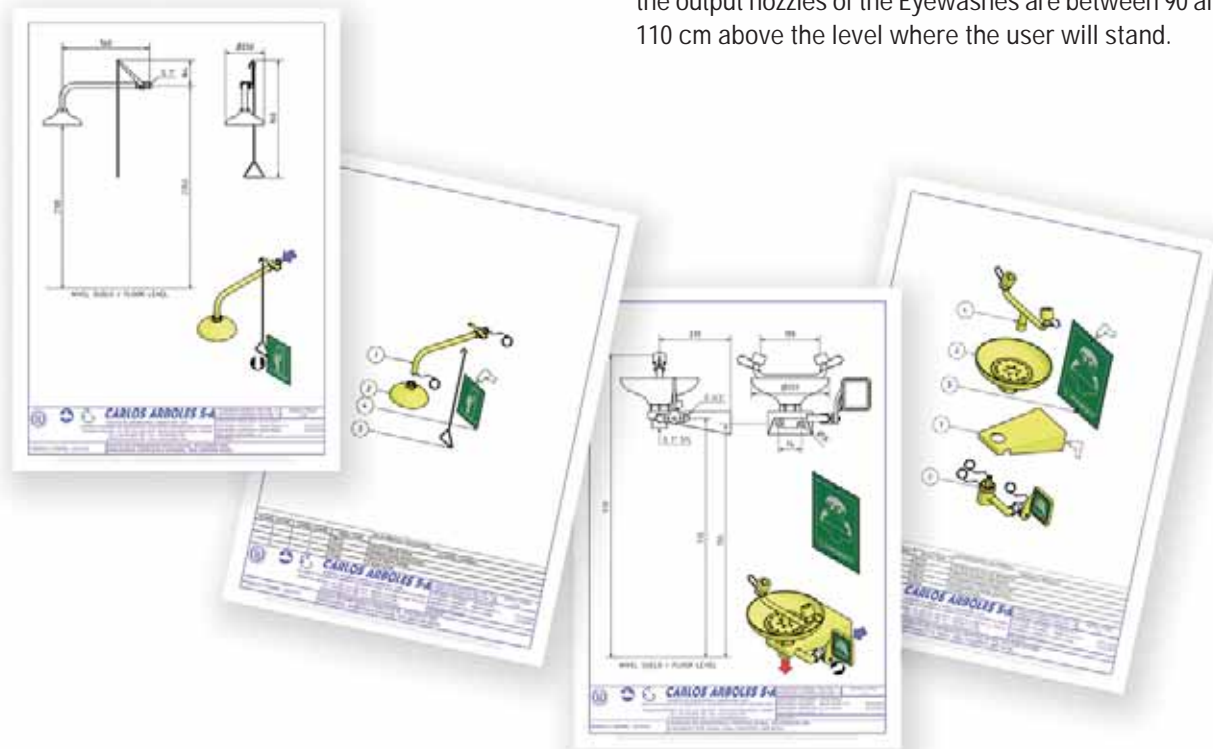
It is recommended to assemble the Emergency Equipment as indicated by the assembly drawing.

The necessary means are as follows:

- Pipe sealings.
- Tools to fasten the equipment to the surface.

It is recommended to install the Emergency Showers that are not fastened to the ground at a height where the spray head is between 210 and 230 cm above the level where the user will stand.

It is recommended to install the Emergency Eyewashes that are not fastened to the ground at a height where the output nozzles of the Eyewashes are between 90 and 110 cm above the level where the user will stand.



WATER SUPPLY

The water supply to the Emergency Equipment should comply with the following conditions:

- It should be supplied from the main or the emergency piping. The diameter of the supply tube should be at least G 1" BSP.
- An inlet pressure of 2 bar is recommended for the Emergency Equipment.
- A water temperature between 15° C and 37° C is recommended.
- It is recommended to install a filter, as well as to drain the piping before installing the Emergency Equipment.
- Potable water, or of similar quality is required.

For correct operation, the minimum pressure is 1.5 bar, and the maximum pressure is 8 bar.

OPERATION

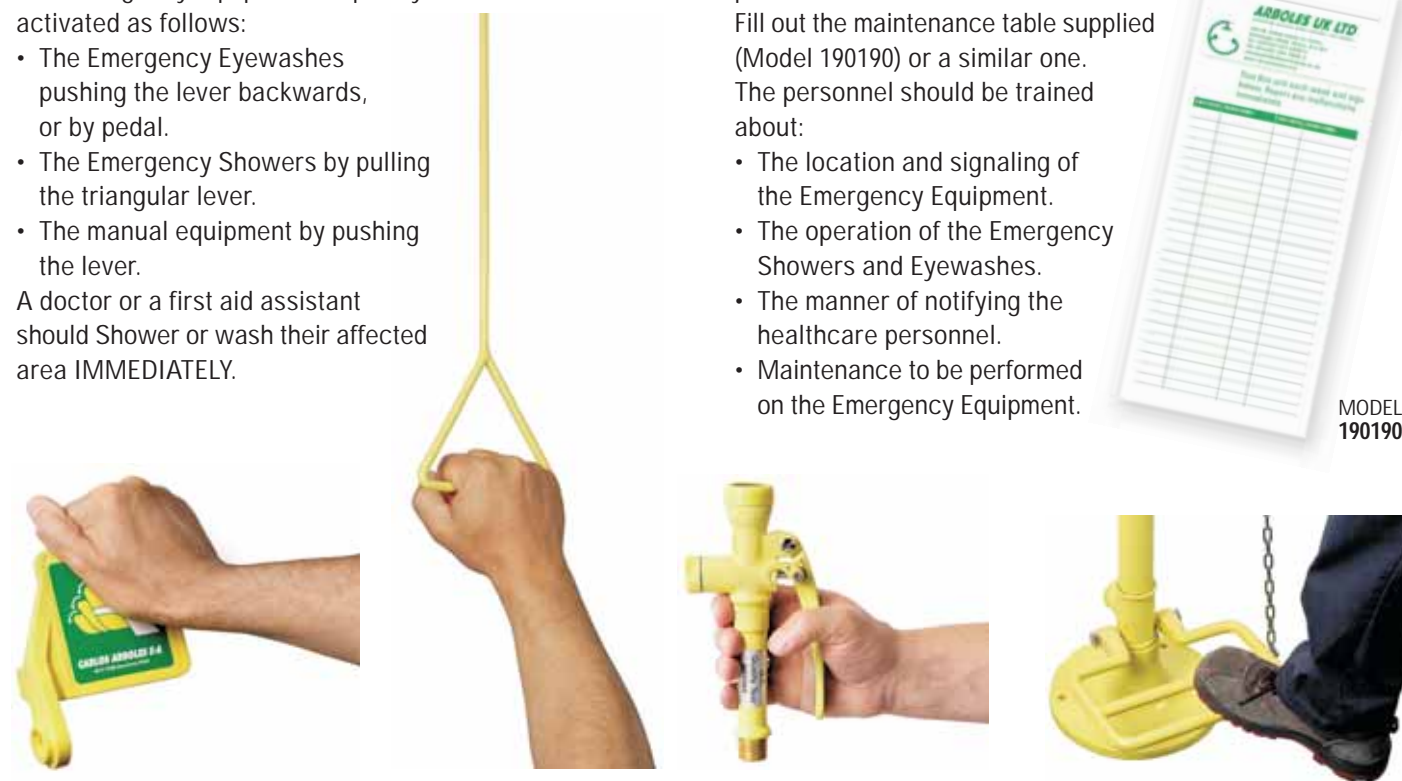
ACTIVATION

In case of accident, the injured person should shower or wash his/her eyes IMMEDIATELY for a minimum of 15 minutes.

The Emergency Equipment is quickly activated as follows:

- The Emergency Eyewashes pushing the lever backwards, or by pedal.
- The Emergency Showers by pulling the triangular lever.
- The manual equipment by pushing the lever.

A doctor or a first aid assistant should Shower or wash their affected area IMMEDIATELY.



SIGNS

PLATES

Each piece of equipment that we manufacture is provided with a plate or sign to signal the unit (except in the table assembly models).

The plates are photoluminescent, with a green background, and white text. Dimensions: 210 x 297 mm



MODEL 191004



MODEL 191005



MODEL 191006

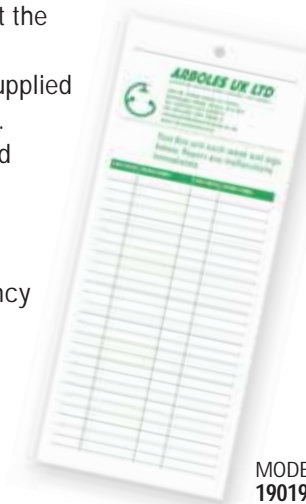
MAINTENANCE

MAINTENANCE AND TRAINING

The operation of the Emergency Showers and Eyewashes should be verified at least ONCE a week in order to guarantee the water supply and to prevent the proliferation of microbes.

Fill out the maintenance table supplied (Model 190190) or a similar one. The personnel should be trained about:

- The location and signaling of the Emergency Equipment.
- The operation of the Emergency Showers and Eyewashes.
- The manner of notifying the healthcare personnel.
- Maintenance to be performed on the Emergency Equipment.



MODEL 190190

We have a wide range of spare parts for all the Emergency Shower and Eyewashes models.

THE UPDATE OF OUR MODELS IS ON THE WEBPAGE
www.carlosarboles.com

ASK ABOUT AVAILABILITY OF OTHER SPARE PARTS

SPARE PARTS



MODEL 190100
SHOWER HEAD ABS HIGH VISIBILITY YELLOW



MODEL 191100
SHOWER HEAD STAINLESS STEEL



MODEL 190150
ABS HIGH VISIBILITY YELLOW BOWL



MODEL 191150
STAINLESS STEEL BOWL



MODEL 190131
COMPLETE FOOT CONTROL ASSEMBLY



MODEL 190123
EYEWASH HEAD COVER



MODEL 190145
EYEWASH VALVE G 1/2" BSP

MODEL 192148
DOUBLE EMERGENCY EYEWASH



MODEL 190152
SPRING FOR EYEWASH



MODEL 190135
EYEWASH HEAD



MODEL 190108
SHOWER VALVE G 1" BSP



MODEL 190109
WALL BRACKET



MODEL 190146
PUSH HANDLE



MODEL 190136
EYEWASH HED ASSEMBLY IN ABS



MODEL 190400
SHOWER VALVE WITH DRAIN G 1 1/4 BSP



MODEL 190148
EMERGENCY EYEWASH



MODEL 190106
SHOWER HANDLE



MODEL 190136
EYEWASH HEAD ASSEMBLY IN BRASS



MODEL 190402
SHOWER VALVE WITH DRAIN G 1 1/4 BSP



MODEL 190160
WALL BRACKET WITH WATER INLET



MODEL 190105
PULL ROD



MODEL 191136
EYEWASH HEAD ASSEMBLY IN STAINLESS STEEL



MODEL 190149
1,5 M FLEXIBLE STAINLESS STEEL HOSE

